

AKIRA

makes life better

Air Conditioner Service Manual



Большая библиотека технической документации
<https://splitsystema48.ru/instrukcii-po-ekspluatácii-kondicionerov.html>
каталоги, инструкции, сервисные мануалы, схемы.

MODEL: AC-S24HG

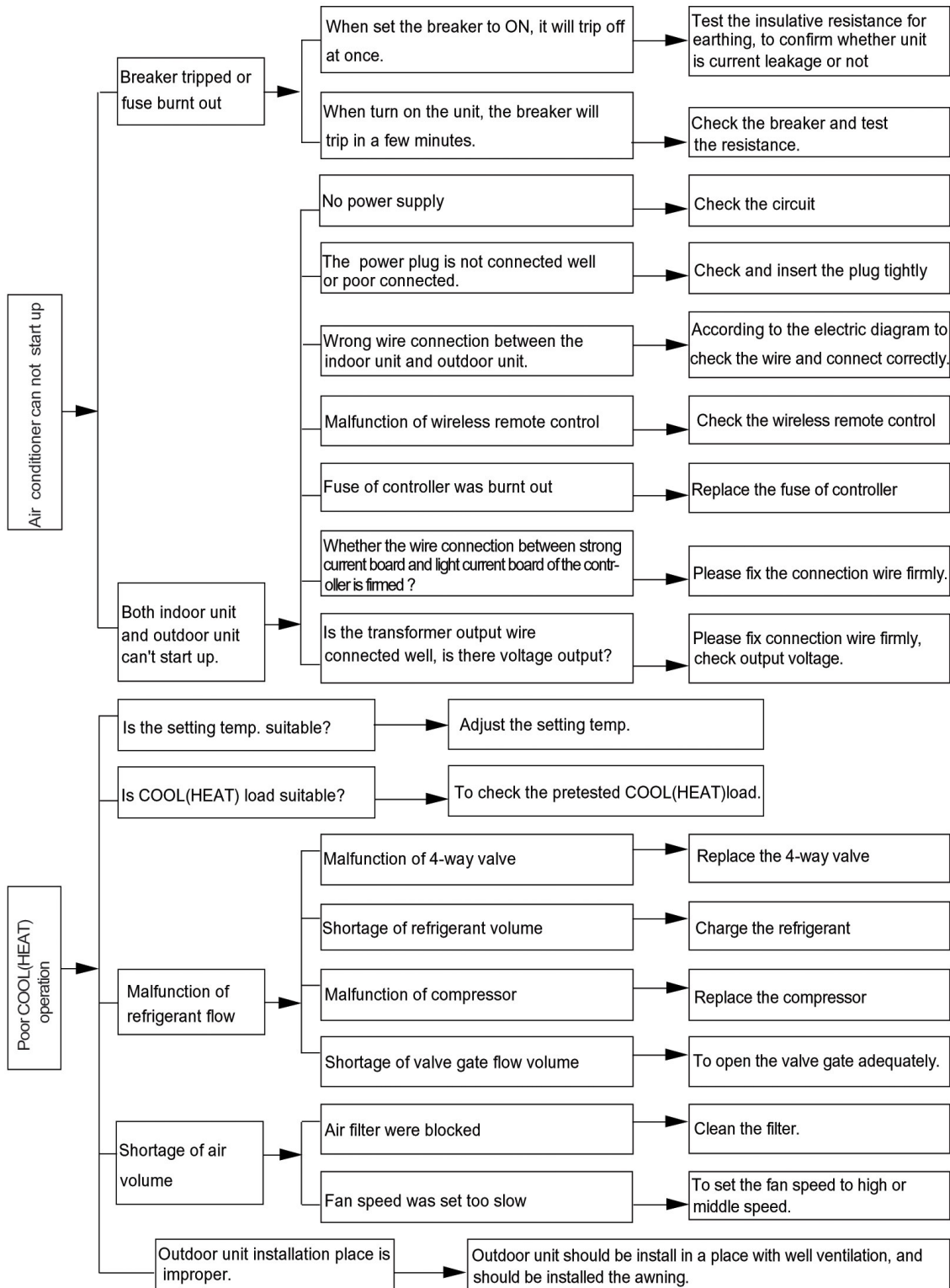
CONTENTS

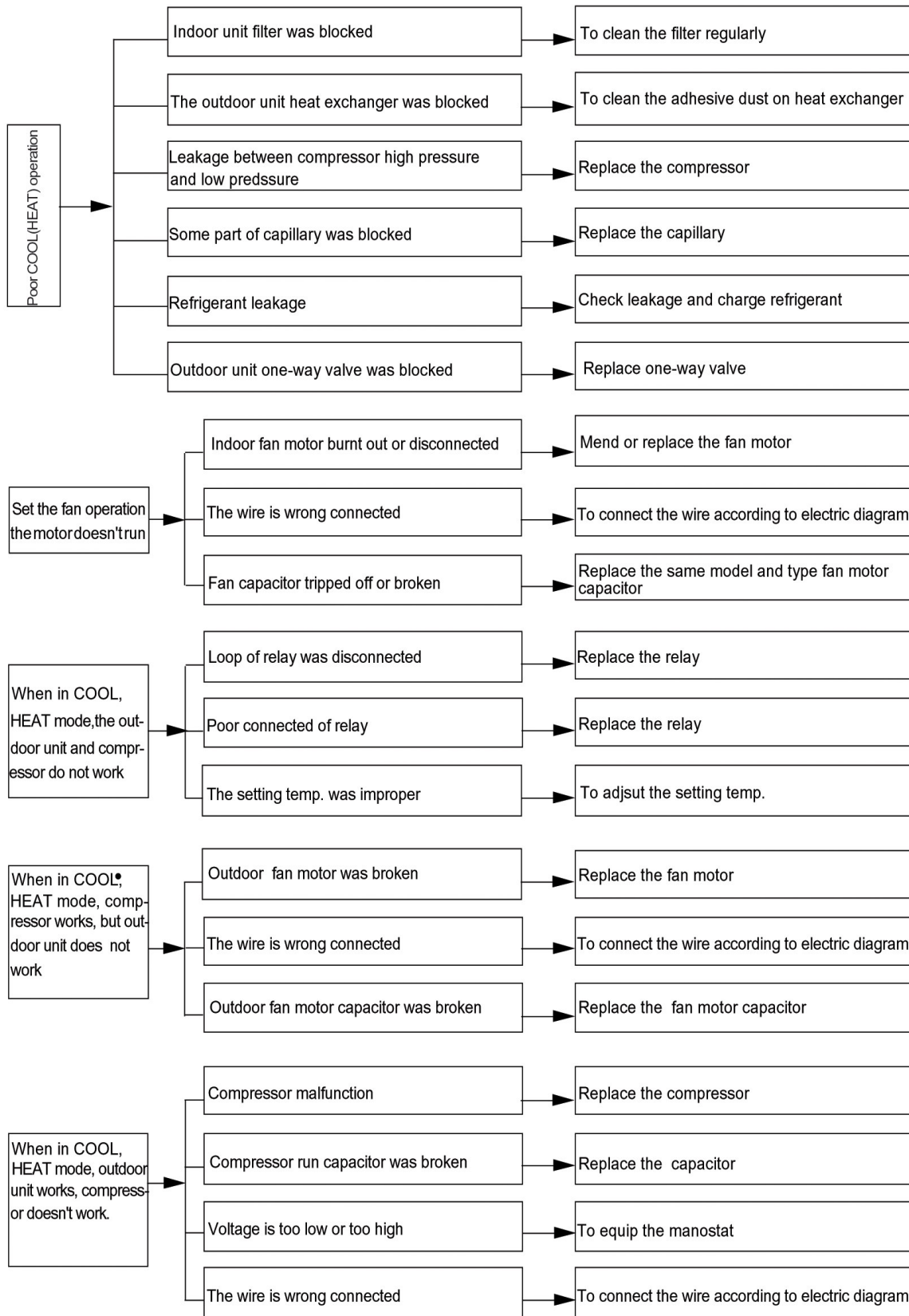
TECHNICAL SPECIFICATION	4
MULFUNCTION ANALYSIS	5
EXPLODED VIEW FOR OUTDOOR UNIT	8
PART LIST	9
EXPLODED VIEW FOR INDOOR UNIT	10
PART LIST	11
CIRCUIT DIAGRAM	12

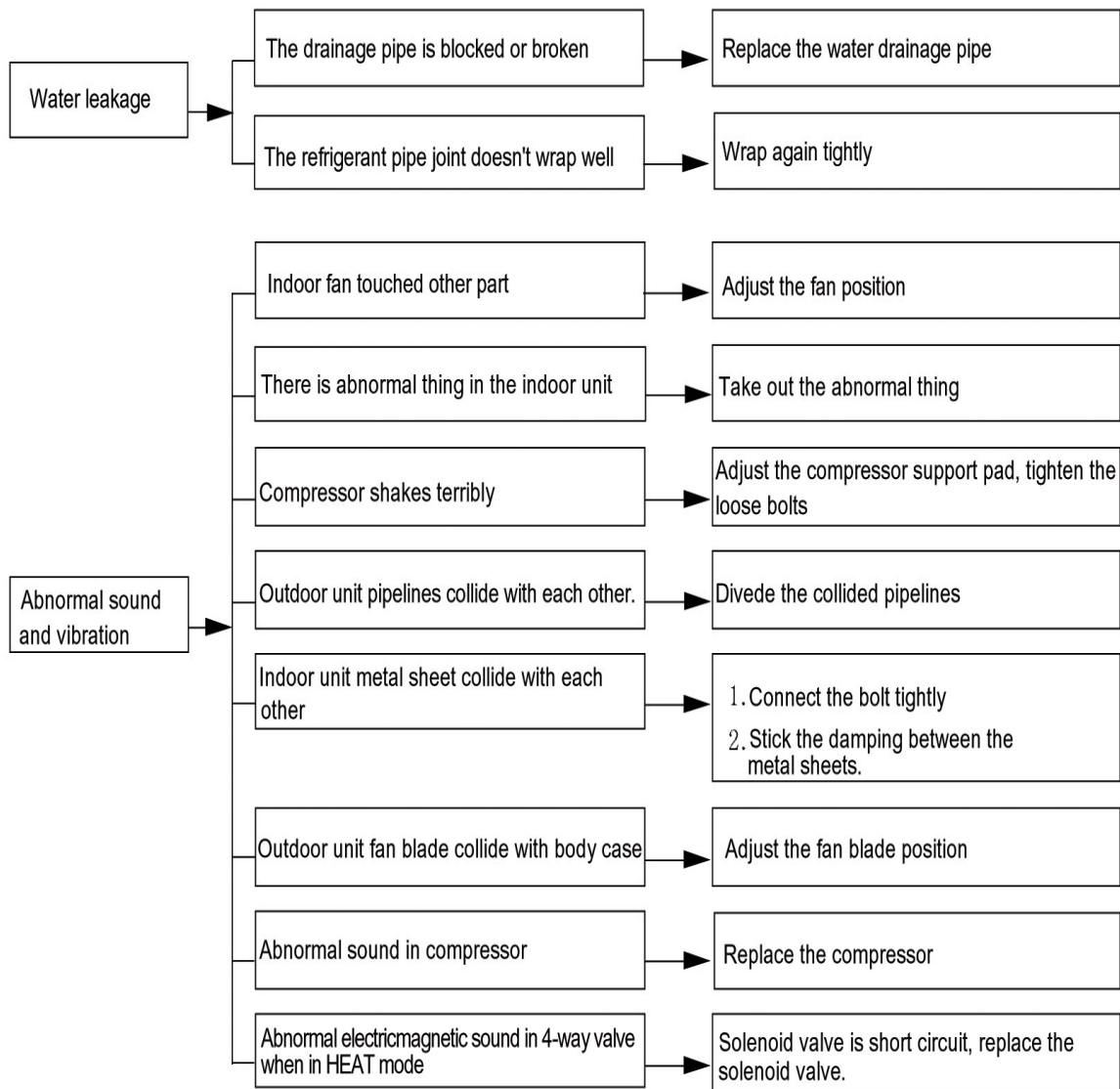
TECHNICAL SPECIFICATION

Model		AC-S24HG		
Function		Cooling	Heating	
Power		Single Phase – 220V-230~ 50Hz		
Capacity	(W)	6000	7000	
Rated Power	(W)	2600	2700	
Rated Current	(A)	11.6	13	
Dehumidify	(l/h)	2		
E.E.R./C.O.P.	(W/W)	2.3	2.6	
Indoor Unit	Rotate Speed Of Fan (r/min) (H/M/L)		1400/1200/1100	
	Output power (w)		20	
	Vane Type - Piece		Cross-flow vane-1	
	Diameter – Length (mm)		Φ90 x 723	
	Evaporator		Aluminum Sheet Copper Pipe Fin Type	
	Pipe Diameter		Φ7	
	Row - Distance		2-1.6, 1-1.5	
	Average Of Working Face (m ²)		0.24	
	Guide Motor		MP24EA	
	Power Of Motor (W)		1.5	
	Control Mode/ Fuse (A)		Control 3.15A Transformer 0.2A	
	Noise (H/M/L) dB (A)		48/42/38	
	Outline Dimension (W/H/D)(mm)		907X290X195	
	Package Dimension (W/H/D)(mm)		1058X366X317	
N.W./G.W. (Kg)		12		
Outdoor unit	Compressor Type		Rotate Type	
	L.R.A. (A)		60	
	Throttle Type		Capillary	
	Start Type		Start Of Capacitance	
	Working Temperature (°C)		T1 (-7~43°C)	
	Condenser		Aluminum Sheet Copper Pipe Fin Type	
	Pipe Diameter		Φ9.52	
	Row- Distance		2-1.7	
	Average Of Working Face (m ²)		0.65	
	Rotate Speed Of Fan		815	
	Power Of Fan (W)		68	
	Vane Type - Piece		Axial-Flow Vane-1	
	Vane Diameter (mm)		Φ460	
	Defrost Way		Auto Defrost	
	Noise dB (A)		59	
	Outline Dimension (W/H/D)(mm)		950X700X412	
	Package Dimension (W/H/D)(mm)		1100X755X450	
N.W./G.W. (Kg)		59		
Refrigerant/ Charge Amount (Kg)		R22/2.0		
Connect Pipe	Length		(m)	5
	Diameter	Liquid Pipe	(mm)	Φ9.52 (3/8")
		Gas Pipe	(mm)	Φ16 (5/8")
	Max. Distance	Height	(m)	10
		Length	(m)	20

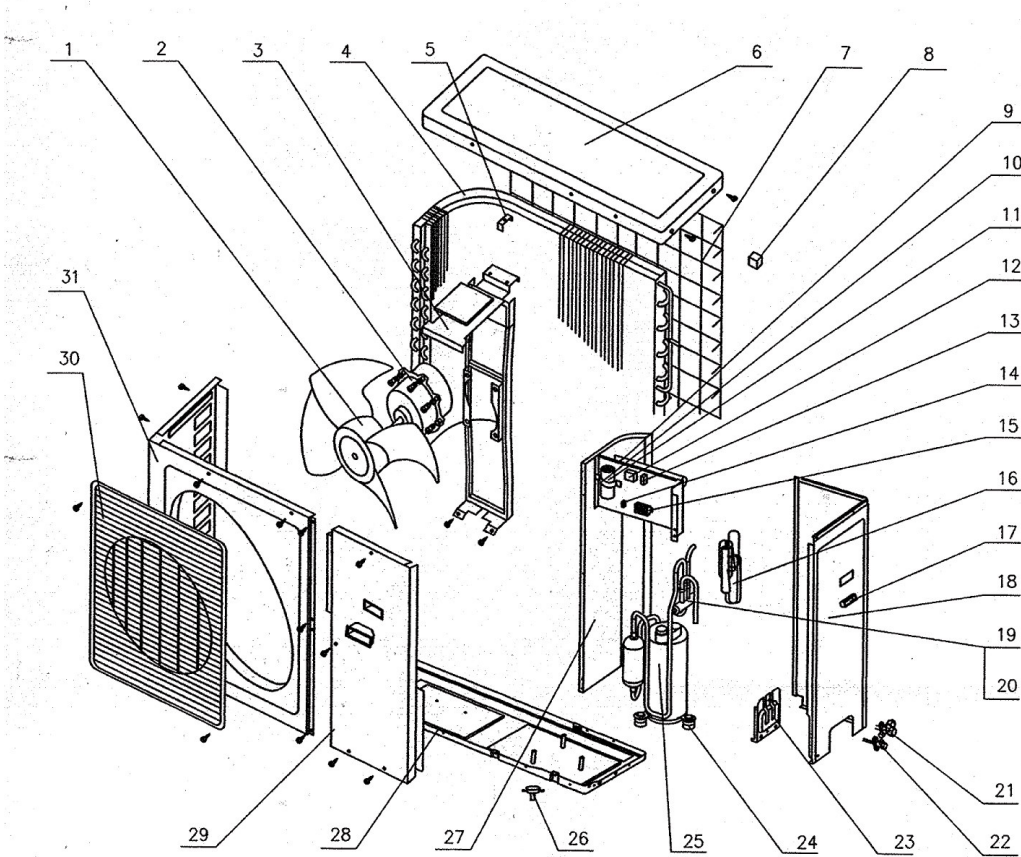
MULFUNCTION ANALYSIS







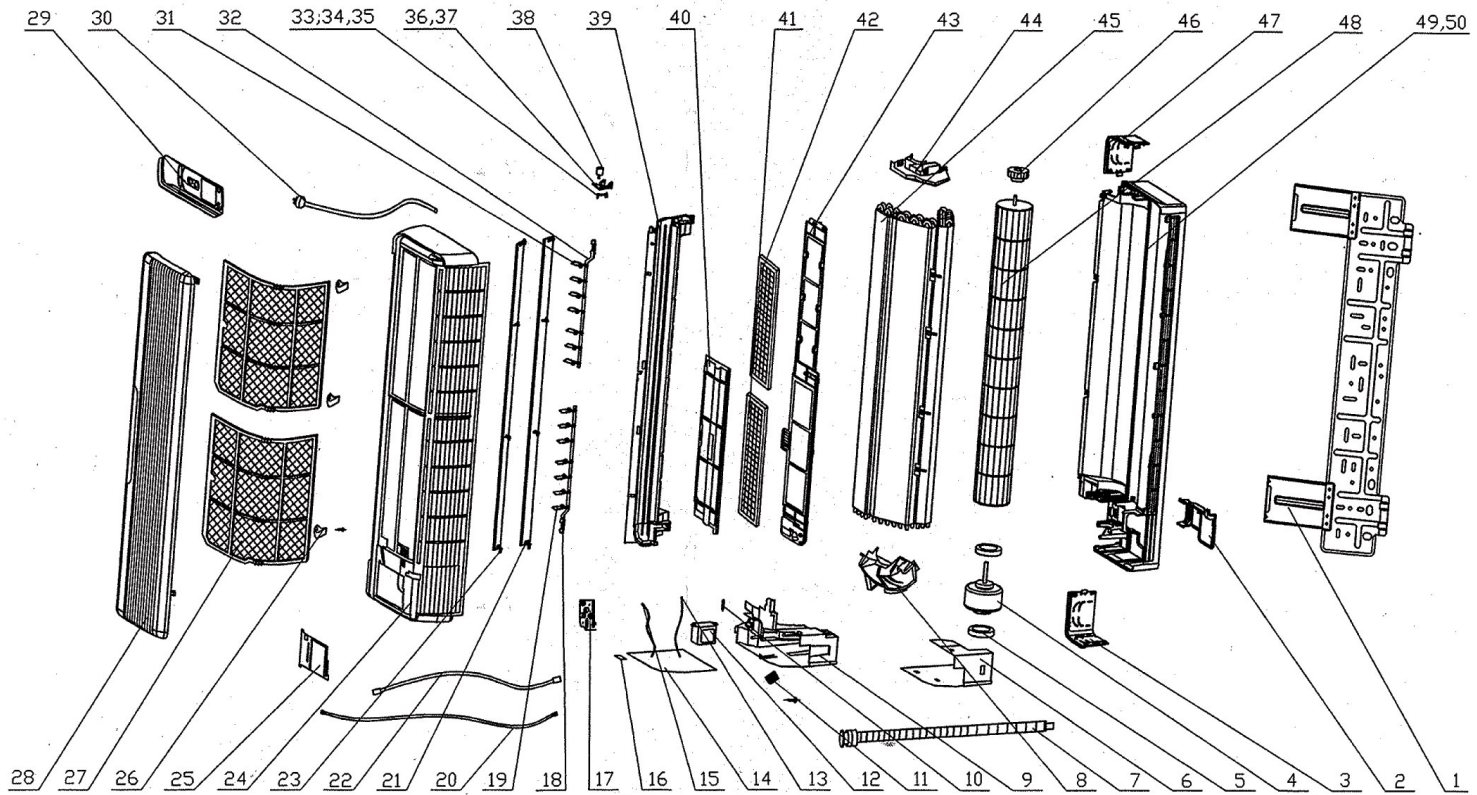
EXPLODED VIEW FOR OUTDOOR UNIT



PART LIST

No.	Description	Part No	Qty
1	Axial Flow Fan	10335254	1
2	Motor LW68B	15013106	1
3	Motor Support	01703027	1
4	Condenser Ass'y	011031322	1
5	Condenser Clamp	01172001	2
6	Top Cover Ass'y	01255260	1
7	Rear Grill	01473028	1
8	Underlay Of Rear Grille		
9	Electrical Box	014030648	1
10	Capacitor Clamp	02143401	1
11	Capacitor 50uF/440V	33000001	1
12	AC Contactor CJX9B-25S/D	44010245	1
13	Capacitor CBB61 3uF/450V (UL/VDE/TUV)	33010027	1
14	Terminal Board 2-8	42011103	1
15	Terminal Board A	42011113	1
16	Capillary Ass'y	03003134	1
17	Handle	26235253	3
18	Rear Side Plate	01305002	1
19	4-way Valve	43000403	1
20	4-way Valve	430004002	1
21	Gas Valve Ass'y 5/8AA	07105252	1
22	Liquid Valve Ass'y	07103018	1
23	Valve Support Ass'y	01715001	1
24	Compressor Gasket 4CYC00549	76710206	3
25	Compressor SHV33YE6UU	00100144	1
26	Drainage Connector	06123401	1
27	Mid Clapboard	01233024	1
28	Base Plate Ass'y	01205106	1
29	Front Side Plate	01303019	1
30	Front Grill	22265251	1
31	Front Plate	01433031	1

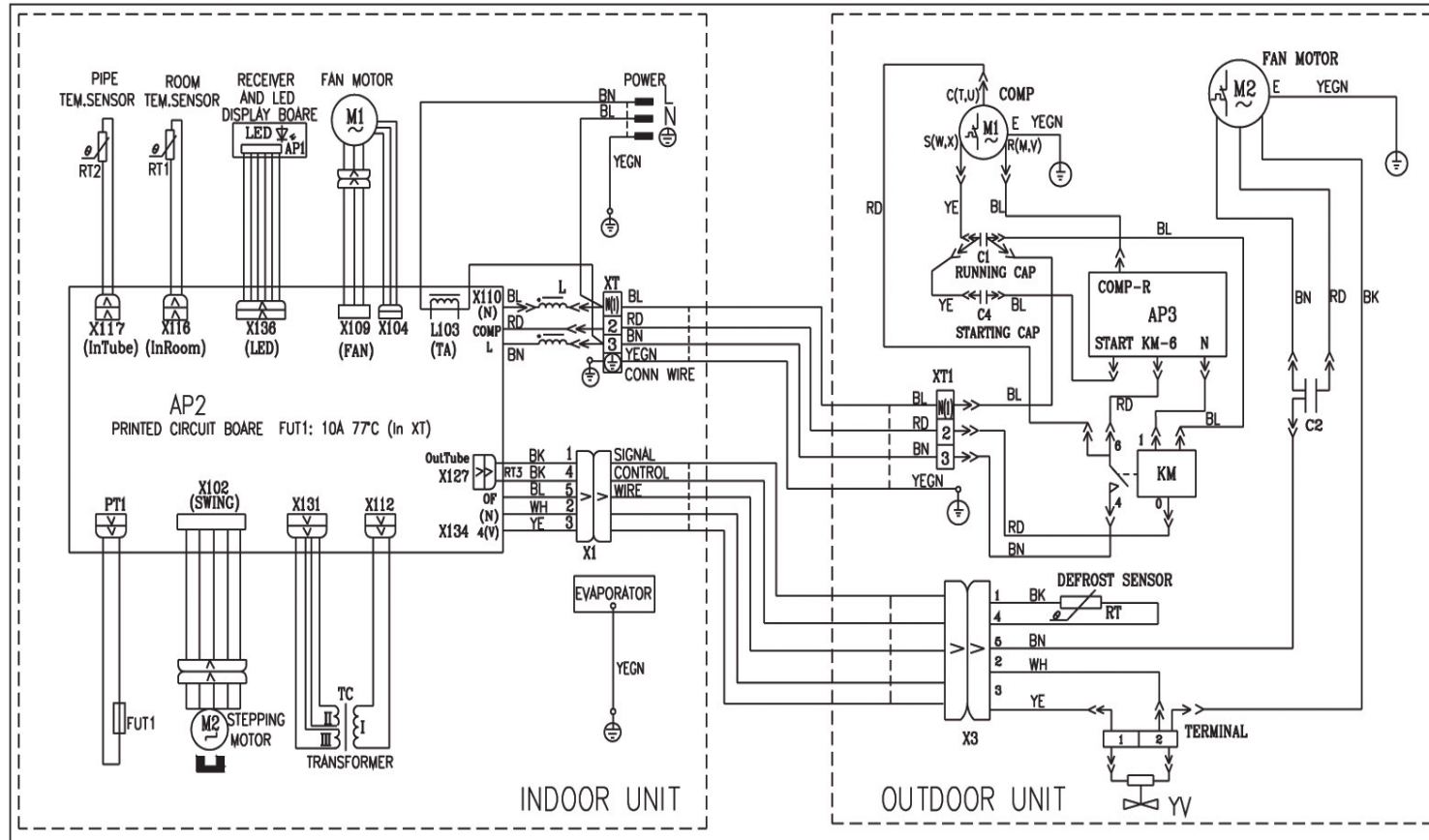
EXPLODED VIEW FOR INDOOR UNIT



PART LIST

No.	Description	Part No	Qty
1	Wall Mounting Frame	01252218	1
2	Pipe Clamp	24242014	1
3	Right Gate of Rear Case	26112012	1
4	Motor FN20D-PG	15012102	1
5	O-Gasket of Bearing	76512205	1
6	Shield of Electric Box	01592001	1
7	Drain Pipe	05232010	1
8	Right Fixer of Evaporator	26112098	1
9	Electric Box	20102012	1
10	Wire Clip	70482401	1
11	Terminal Board T4B3A-73	42011039	1
12	Transformer 54X25C	43110239	1
13	Room Tube Sensor 10K	39000057	1
14	Main PCB 5D52(111)	30055340	1
15	Room Sensor 5K	39000157	1
16	Receiver Board JD	30046005	1
17	LED Holder	24212007	1
18	Right Linkage	10582015	1
19	Right Swing Louver	105120141	7
20	Connecting Cable	40020427	1
21	Upper Guide Louver	10512011	1
22	Signal Cable	40032103	1
23	Lower Guide Louver	10512012	1
24	Front Case Ass'y	20002012	1
25	Electric Box Cover	20102011	1
26	Screw Cap	24252011	3
27	Filter	11122022	2
28	Front Panel	20002010	1
29	Remote Controller Y512	30512506	1
30	Power Cord	40020325	1
31	Left Swing Louver	105120131	7
32	Left Linkage	10582014	1
33	Upper Swing Link	10582011	1
34	Lower Swing Link	10582012	1
35	Link Lever	10582013	1
36	Guide Louver Axial Bush	10542011	1
37	Motor Holder	26152011	1
38	Motor MP24EA	15212101	1
39	Water Tray	20182011	1
40	Air Cleaner Frame	26112013	1
41	Air Cleaner B	11012022	1
42	Air Cleaner A	11012021	1
43	Air Cleaner Holder	24222014	1
44	Left Fixer of Evaporator	01072011	1
45	Evaporator Ass'y	01002009	1
46	Fan Bearing	76512210	1
47	Left Gate of Rear Case	26112011	1
48	Cross Flow Fan	10352021	1
49	Rear Case	22202011	1
50	Drainage Plate	22202012	1

CIRCUIT DIAGRAM





АКТРА

Большая библиотека технической документации

<https://splitsystema48.ru/instrukcii-po-ekspluatácii-kondicionerov.html>

каталоги, инструкции, сервисные мануалы, схемы.